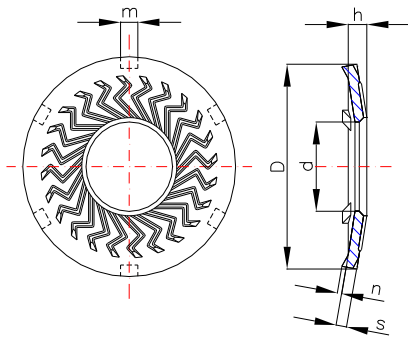


TOOTHED SPERRKANT



INOX A4 DIN 10088-2

DIMENSIONS AND FEATURES								PACKAGING		
For screws of	d min.-max.	D min.-max.	s min.-max.	h min.-max.	No. of knurls	No. of teeth	Kg/1000 pieces	No. of pcs standard packaging	No. of pcs bulk packaging	No. of pcs micro packaging
M 4.0	4.10-4.40	7.80-8.20	0.97-1.03	1.20-1.35	16	6	0.250	2000	50000	500
M 5.0	5.10-5.40	9.80-10.20	0.97-1.03	1.25-1.50	20	6	0.410	1000	22000	500
M 6.0	6.10-6.40	11.80-12.20	1.16-1.24	1.50-1.80	20	6	0.710	1000	12000	500
M 8.0	8.20-8.50	15.80-16.20	1.36-1.44	1.95-2.40	24	6	1.500	1000	6500	200
M 10.0	10.20-10.56	19.75-20.25	1.56-1.64	2.15-2.60	24	6	2.680	1000	3500	200
M 12.0	12.40-12.80	23.75-24.25	1.56-1.64	2.15-2.60	24	6	3.850	500	3000	100

Dimensions in mm

Technical details:

Hardness of material: 265 Hv minimum.

Tightening couples: see table.

Chemical analysis of raw material: see table.

Stainless steel AISI 316 (A4)

has a very high acid resistance and it is an antimagnetic material.

Features and specific use:

Spring washer which has:

- a round knurled ring with resistance to loosening on its contact surface with the screw's underhead.

-a series of teeth on the surface in contact with the supporting field, which doesn't allow the rotation of the washer during the tightening.

Recommended for electrical contact fasteners.